



# MPR Improved Original Leg Holder

10200MPR-L



Instructions for Use



### Description

The MPR Improved Original Leg Holder (10200MPR-L) is an enhanced version of MPR Orthopedics' highly popular 10200 Leg Holder, being about 20% lighter while retaining its versatility for positioning, with an improved block design and an added hole on the frame for storing the crossbar when not in use.

It comprises a stainless steel frame and is used with a soft-cushioned foam insert (*sold separately, see ACCESSORIES*) to minimize leg rotation during procedures.

Reusable, single use, and coated foam inserts are available, in 6½" and 10" sizes. The reusable foam inserts' durable close-cell composition allows for cleaning without absorbing moisture. The single use foam inserts eliminate cross-contamination between patient and insert, and are available in a lightweight open-cell foam (blue) or a denser, firmer foam (white).

Original design by Dr. Lanny Johnson, M.D.

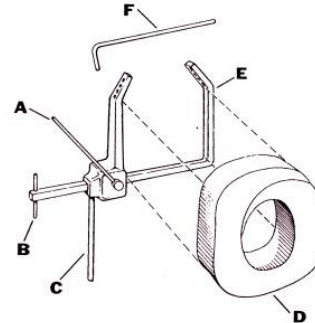
### Indications

For use during surgical procedures to minimize leg rotation by providing quadrilateral support to the thigh.

### Cautions

- UNITED STATES FEDERAL LAW RESTRICTS THIS DEVICE TO SALE BY OR ON THE ORDER OF A PHYSICIAN.
- This product is provided non-sterile and must be properly cleaned prior to use. Refer to the CLEANING AND MAINTENANCE section on page 3 of this document.
- Prior to use, examine the instrument for possible damage and to ensure proper functioning.
- A surgeon *should not* attempt clinical use of the MPR Leg Holder before reviewing these instructions for use.

### Components



A	Cam-Action Lever
B	T-Bar
C	Post for Clark Attachment
D	Foam Insert (sold separately)
E	Leg Holder Framework
F	Crossbar

### Accessories

REF	Description
10201	Reusable Foam (Gray)
10201C	Standard Profile 6½" Firm Reusable Spray Coated Foam Insert (Blue)
10203	XL Standard Profile 10" Reusable Foam (Gray)
10211	Standard Profile 6½" Reusable Spray Coated Foam (Blue)
10210	XL Standard Profile 10" Reusable Spray Coated Foam (Blue)
10204	Standard Profile 6½" Economy Reusable Foam Insert (White)
10205	XL Standard Profile 10" Economy Reusable Foam Insert (White)
10223B	Standard Profile 6½" Single Use Insert (Blue)
10225	XL Standard Profile 10" Single Use Insert (Blue)
10224B	Standard Profile 6½" Single Use Insert (White)
10214	XL Standard Profile 10" Single Use Insert (White)
10202	Crossbar - 14" long with 2" Grip
10206	Extra Long Crossbar - 17" long with 4" Grip
10199	T-Bar - 4" long
MPR-CS	Stainless Steel Clark Socket
MPR-CS-AIO	All-In-One Clark Socket

### Instructions for Use

1. With the patient on the operating room table and anesthetized, apply a tourniquet to the patient's upper thigh.
2. Ensure that the patient is situated on the table so the leg holder can be placed on the thigh 4–6 inches above the superior aspect of the patella. Place the foam insert (reusable or single use) at the same relative location.  
**NOTE:** To protect the opposite knee, a well leg pad may be utilized.

3. Place the leg holder proximally to the foot of the table and then secure it in a Clark attachment or equivalent. Place the leg and foam insert into the leg holder framework (see Figure 1). Make certain that the indentations on either side and on the bottom of the foam insert are aligned with the framework.

4. Slowly place the crossbar through the framework's upper hole and across the center of the foam insert (see Figure 2). Take care not to stab the foam insert with the crossbar.  
**NOTE:** The crossbar is positioned in the indentation in the center of the insert.

5. Tighten the leg holder around the foam insert and thigh by grasping the T-bar with one hand and providing a constant pulling tension, while pumping the cam-action lever up and down with your other hand. You will begin to see the frame tighten down on the foam insert and leg. When the leg has reached a quadrilateral shape, lock in place by pushing the cam-action lever down toward the floor (see Figure 3).

7. Apply an antiseptic skin prep and drape the patient according to your facility's protocols.
8. To release the leg holder, lift up on the locked cam-action lever and push the T-bar away from your body and toward the patient.

**⚠ WARNING: The leg holder has a potential tourniquet effect. Do not overtighten.**

Figure 1



Figure 4

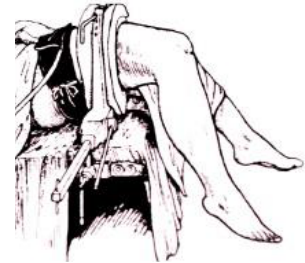


Figure 2



Figure 3



### Cleaning & Maintenance

#### LEG HOLDER

The MPR Improved Original Leg Holder framework can be draped during surgery; therefore no sterilization is required. Use the following recommendations for cleaning and decontaminating leg holders:

1. Preventing blood, saline, or other materials from drying on the framework will make cleaning easier. *Do not* immerse the framework for cleaning.
2. Using a soft bristle brush, manually clean the framework with an Enzol® solution prepared according to the manufacturer's recommendations. Rinse with tap water.
3. Apply a surface disinfectant to the framework with a cloth or spray. Allow to stand for the time recommended by the manufacturer.
4. Rinse the device thoroughly in lukewarm, running tap water for one minute.
5. Apply surgical lubricant or instrument milk to the leg holder framework.
6. Place the cleaned device on a sheet of absorbent matting and allow it to air dry.

#### FOAM INSERTS

Dispose of single-use foam inserts after use.

Before cleaning reusable foam inserts, inspect for any damage. If any is found, remove spray-coated inserts from use, or make a note of damage to closed-cell foam inserts.

Wipe insert down thoroughly with a neutral detergent, then disinfect with an approved germicide. Allow to dry completely. *Do not* use heat, or any harsh chemicals or abrasive materials.

### Warranty

MPR Orthopedics products are guaranteed to be free from defects in material and workmanship for the warranty period for a particular product, *beginning from date of invoice*. Contact MPR Orthopedics for specific warranty information.

This limited warranty is restricted to repair or replacement by MPR Orthopedics, at its option, of any product found to be defective during the warranty period. Damage inflicted on a product by the user that causes it to be unsuitable for refurbishment may result in additional charges, regardless of warranty status. All warranties apply to the original buyer *only*.

In no event shall MPR Orthopedics be liable for any anticipated profits, consequential damages, or loss of time incurred by the buyer with the purchase or use of any product.

**NO OTHER WARRANTY, EXPRESSED OR IMPLIED, IS GIVEN.**

**DO NOT DISASSEMBLE THE FRAMEWORK; THIS COULD DAMAGE THE DEVICE AND WILL VOID THE WARRANTY.**

**\*WARRANTY IS VALID FOR 1 YEAR**

### MPR Orthopedics Offers:

- Free trials on leg holders.
- Repair for non-working leg holders.
- Trade-ins for excess equipment.
- Reusable foam inserts (6½" and 10" sizes)
- Single use foam inserts (6½" and 10" sizes)
- Replacement crossbars (standard and XL)
- Replacement T-bars
- Clark sockets.



## MPR Improved Original Leg Holder (10200MPR-L)

---

### For Further Information

If further information on this product is required, please contact MPR Orthopedics Customer Service at 800.524.5194 in the United States, or your authorized representative.

### Additional Accessories

REF	Description
MPR-ORUC	MPR Over-the-Rail Universal Clamp
MPR-SRC	MPR Over Side Rail Clark Socket

### Also Available

REF	Description
10200MPR	MPR Instrument Makar Leg Holder
10228	MPR Instrument Makar Low-Profile Leg Holder

**A stable, time-proven orthopedic product.**